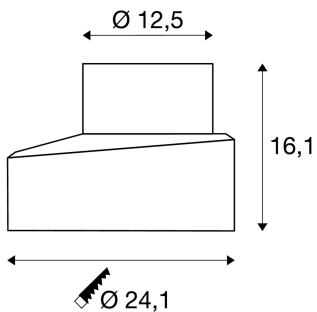




DASAR® PREMIUM DN125 installation housing

The inground pot for the DASAR® PREMIUM series, which is available in three sizes, is suitable for quick and easy inground fitting.



TECHNICAL DATA

Item no.:	1000654
Height	16.1 cm
Diameter	24.1 cm
Net weight	0.5 kg
Gross weight	0.535 kg
IP Code	IP 20
Assembly	Recessed
Assembly details	Ground
Color	black
BIG WHITE Page	727



Notes
