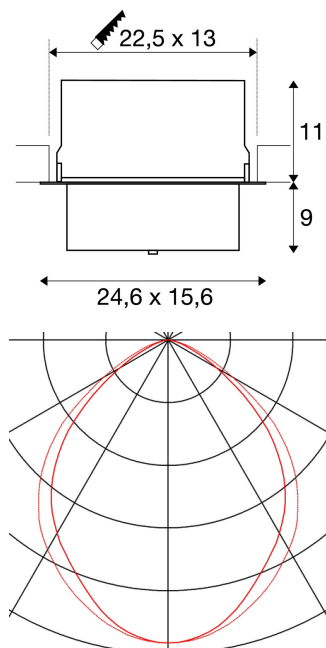




## ALAMEA

recessed ceiling light, LED, 3000K, black, 29,4W

The ALAMEA recessed ceiling light for commercial applications and applications needing clear light properties. Available with a black or white housing, the ALAMEA is equipped with a powerful 29.4 Watt LED. The LED insert, which is available in two light colours, is telescopic and adjustable, and can therefore be flexibly directed. A suitable LED constant current driver is required to operate the recessed fitting. This luminaire has a built-in LED module.



## TECHNICAL DATA

Item no.:	1000787
Secondary power / secondary voltage	700 mA/V
Vertical tilting range	60 °
Length	24.6 cm
Width	15.6 cm
Height	11.3 cm
Installation length	22.5 cm
Installation width	13.0 cm
Installation depth	11.3 cm
Net weight	2.241 kg
Gross weight	2.526 kg
IP Code	IP 20
Safety class	III
Assembly	Recessed
Assembly details	Ceiling
Wattage	29.4 W
Lumen	2900 lm
Colour temperature	3000 Kelvin
Color	black
CRI	>90
Binning	5
LXXBXX data	70/50

Service life

35000 h

## Accessories

1001114	LED driver , 700mA, 40W, dimmable
464032	TCI LED DRIVER , 50VA, 350-1050mA, dip switch, incl. strain relief, DALI dimmable
464168	LED DRIVER , 40W, 700mA, incl. strain relief
464174	LED DRIVER , 40W, 700mA, incl. strain relief, dimmable

## Notes

---

---

---

---

---