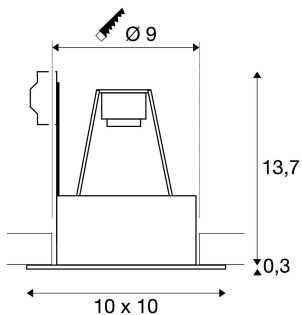




INDI REC 1S recessed fitting

single-headed, QPAR51, square, matt white, multi-directional, max. 50W

The single-headed high-voltage recessed fitting INDI REC 1S is multi-directional and was conceived for use with high-voltage halogen lamps. The steel housing has a matt white exterior and black interior. To operate the recessed fitting, a matching transformer with 12V alternating current is required.



TECHNICAL DATA

Item no.:	112471
Socket	GU10
Lamp	QPAR51
Number of sockets	1
Lamps included	0
Primary nominal voltage	220-240V ~50/60Hz mA/V
Tilt range	30 °
Horizontal rotation range	30 °
Length	10.0 cm
Width	10.0 cm
Height	14.0 cm
Installation diameter	9.0 cm
Installation depth	15.0 cm
Net weight	0.318 kg
Gross weight	0.377 kg
IP Code	IP 20
Safety class	I
Assembly	Recessed
Assembly details	Ceiling
Wattage	20.0 W
Color	white
BIG WHITE Page	451



Recommended lamp

1001030	LED QPAR51 GU10 , lamp, 38°, 2700K, 400 lm, dimmable
1005076	LED lightbulb QPAR51 , GU10, 2700K, white

Notes
