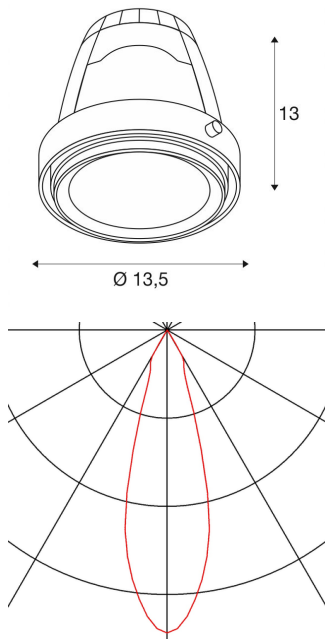




## COB LED MODULE

for AIXLIGHT PRO installation frame, matt white, 30°, CRI65+

The COB LED Module was developed for use in AIXLIGHT PRO installation frames. This special product is for the lighting of meat products and is not suitable for general room lighting. The cold-white COB LED module comes in white or silver-grey and is available in various beam angles. A LED driver with a constant current of 700 mA is needed for use. Not suitable for flat installation frames.



## TECHNICAL DATA

Item no.:	115213
Height	13.0 cm
Diameter	13.5 cm
Net weight	0.511 kg
Gross weight	0.634 kg
IP Code	IP 20
Assembly	Recessed
Assembly details	Ceiling with Acc.
Wattage	26.0 W
Lumen	1300 lm
Colour temperature	3600 Kelvin
Beam angle	30 °
Color	white
CRI	>65
BIG WHITE Page	503

## Accessories

1001267	LED driver , 700mA, 40W, TRIAC dimmable
464032	TCI LED DRIVER , 50VA, 350-1050mA, dip switch, incl. strain relief, DALI dimmable
464168	LED DRIVER , 40W, 700mA, incl. strain relief
464174	LED DRIVER , 40W, 700mA, incl. strain relief, dimmable

## Notes

---

---

---

---

---