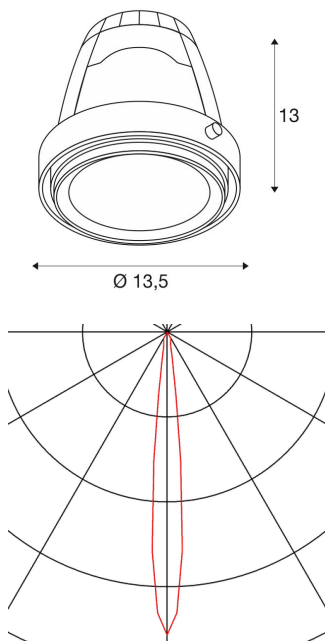




COB LED MODULE

for AIXLIGHT PRO installation frame, silver-grey, 12°, CRI90+

The COB LED Module was developed for use in AIXLIGHT PRO installation frames. This special product is suitable for lighting up baked goods. The warm-white COB LED module comes in white or silver-grey and is available in various beam angles. A LED driver with a constant current of 700 mA is needed for use. Not suitable for flat installation frames.



TECHNICAL DATA

Item no.:	115251
Height	13.0 cm
Diameter	13.5 cm
Net weight	0.516 kg
Gross weight	0.633 kg
IP Code	IP 20
Assembly	Recessed
Assembly details	Ceiling with Acc.
Wattage	26.0 W
Lumen	1650 lm
Colour temperature	3200 Kelvin
Beam angle	12 °
Color	grey
CRI	>90

Accessories

1001267	LED driver , 700mA, 40W, TRIAC dimmable
464032	TCI LED DRIVER , 50VA, 350-1050mA, dip switch, incl. strain relief, DALI dimmable
464168	LED DRIVER , 40W, 700mA, incl. strain relief
464174	LED DRIVER , 40W, 700mA, incl. strain relief, dimmable

Notes
