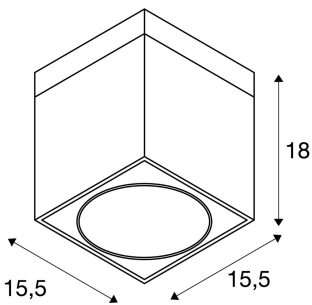




KARDAMOD ceiling light

single-headed, QR111, square, white, max. 75W

The low-voltage QRB version of the KARDAMOD ceiling light is made of high-quality steel, and available with white, matt black and silver grey housings. The lamp holder is multi-directional, allowing individual focus of the light beam. Thanks to the already incorporated transformer, the KARDAMOD is supplied ready for direct connection to 230V mains supply.



TECHNICAL DATA

Item no.:	117121
Socket	G53
Lamp	QR111
Number of sockets	1
Lamps included	0
Primary nominal voltage	230-240V ~50/60Hz mA/V
Secondary power / secondary voltage	12 mA/V
Length	15.5 cm
Width	15.5 cm
Height	18.0 cm
Net weight	1.929 kg
Gross weight	2.219 kg
IP Code	IP 20
Safety class	I
Assembly	Surface
Assembly details	Ceiling
Dimmable	Ja
Dimming technology	trailing edge
Wattage	75.0 W
Color	white
BIG WHITE Page	275

Recommended lamp

560231	PHILIPS MASTER LED AR111 , CRI90, 15W, 24°, 2700K, dimmable
560232	PHILIPS MASTER LED AR111 , CRI90, 15W, 40°, 2700K, dimmable

Notes
