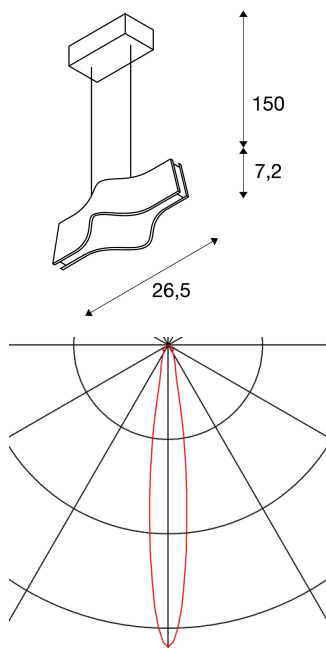




WAVE PENDANT pendant for 240V 1-phase track

LED, 3000K, brushed aluminium, 9W, incl. 1-phase adapter

The WAVE PENDANT, available in black, white, brass, or brushed aluminium, has an elegant wave form, and is out-fitted with an adapter for the 240V 1-phase track system. Equipped with one powerful, warm white premium COB LED, as well as LED driver included in the scope of supply, the set can be used in any lighting situation. Its 150 cm long pendant can be easily adjusted.



TECHNICAL DATA

Item no.:	144006
Lamps included	0
Primary nominal voltage	220-240V ~50/60Hz mA/V
Secondary power / secondary voltage	500 mA/V
Length	26.5 cm
Pendant length	150.0 cm
Width	11.4 cm
Height	7.2 cm
Net weight	1.086 kg
Gross weight	1.396 kg
IP Code	IP 20
Safety class	I
Assembly	Surface
Assembly details	Ceiling, Track Ceiling
Wattage	12.0 W
Lumen	960 lm
Colour temperature	3000 Kelvin
Beam angle	100 °
Color	aluminium
CRI	>80
Binning	6
LXXBXX data	70/50



Service life	30000 h
--------------	---------

Notes
