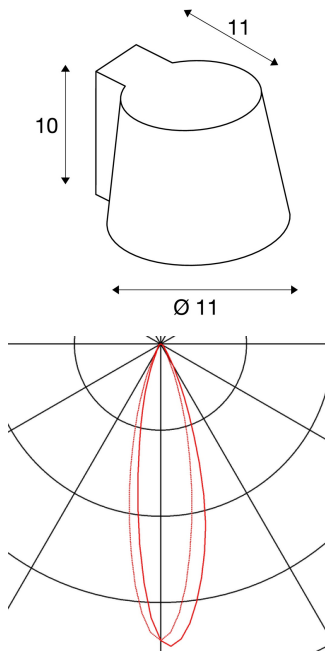




## PLASTRA wall light

TCR-TSE, Cone, white, max. 11W

The plain PLASTER plaster wall light with GX53 socket. Prepared to take a GX53 bulb, it is ready for direct connection to the 230V mains supply. After priming, the luminaire can be painted with wall paint as desired.



## TECHNICAL DATA

Item no.:	148061
Socket	GX53
Lamp	TCR-TSE
Number of sockets	1
Lamps included	0
Primary nominal voltage	230V ~50Hz mA/V
Width	13.0 cm
Height	10.5 cm
Depth	15.0 cm
Net weight	0.982 kg
Gross weight	1.191 kg
IP Code	IP 20
Safety class	I
Assembly	Surface
Assembly details	Wall
Wattage	11.0 W
Color	white
BIG WHITE Page	180

## Recommended lamp

550092	LED GX53 , lamp, 3x1.4W, warm-white LED, 35° beam angle
551372	LED GX53 , SMD LED, 3W, 3000K, not dimmable

## Notes

---

---

---

---

---