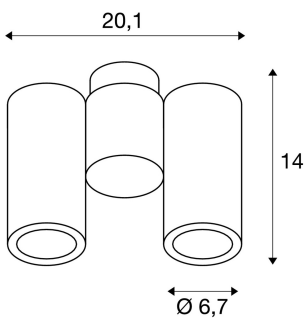




ENOLA_B

wall and ceiling light, double-headed, QPAR51, brass, max. 100 W

The puristic ENOLA B surface mounted light features an aluminium and steel construction that is available with a black, white, brass, or silver grey housing. The lamp head can be rotated and swivelled. With its built-in GU10 high volt holder, the ENOLA_B is ready for direct connection to 230V mains supply.



TECHNICAL DATA

Item no.:	151833
Socket	GU10
Lamp	QPAR51
Number of sockets	2
Lamps included	0
Primary nominal voltage	220-240V ~50/60Hz mA/V
Tilt range	180 °
Horizontal rotation range	350 °
Length	21.5 cm
Width	6.7 cm
Height	14.0 cm
Net weight	0.86 kg
Gross weight	1.11 kg
IP Code	IP 20
Safety class	I
Assembly	Surface
Assembly details	Ceiling, Wall
Wattage	50.0 W
Color	gold

Recommended lamp

1001030	LED QPAR51 GU10 , lamp, 38°, 2700K, 400 lm, dimmable
1005079	LED lightbulb QPAR51 , GU10, 3000K, white

Accessories

151840	ZIERRING , for ENOLA_B, black
--------	-------------------------------

Notes
