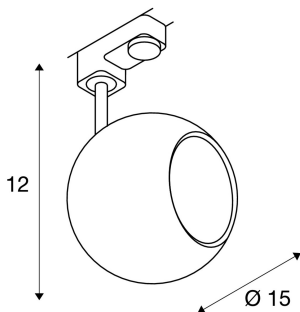




LIGHT EYE

spot for 240V 3-phase track, QPAR111, chrome, max. 75W, incl. 3-phase adapter

Adjustable high-voltage spot LIGHT EYE with suitable adapter for the 240V 3-phase track system. The round-shaped luminaire is made of steel and, thanks to the built-in GU10 socket, is suitable for both halogen and LED lamps with a diameter of 11.1cm.



TECHNICAL DATA

Item no.:	153102
Socket	GU10
Lamp	QPAR111
Number of sockets	1
Lamps included	0
Primary nominal voltage	230V ~50Hz mA/V
Tilt range	90 °
Horizontal rotation range	350 °
Height	12.0 cm
Diameter	15.0 cm
Net weight	0.632 kg
Gross weight	0.968 kg
IP Code	IP 20
Safety class	I
Assembly	Surface
Assembly details	Ceiling, Track Ceiling
Wattage	75.0 W
Color	chrome
BIG WHITE Page	344

Recommended lamp

1003094	LED lamp , QPAR111, GU10, 2700K, 40°, dimmable
1003095	LED lamp , QPAR111, GU10, 4000K, 55°, dimmable

Notes
