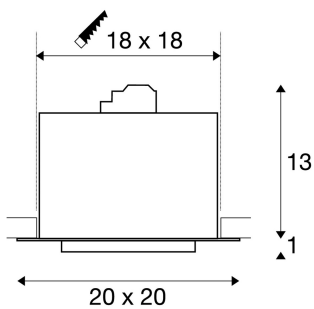




AIXLIGHT 1

recessed fitting, single-headed, QPAR111, chrome/black, max. 75W

The high-voltage recessed ceiling light, AIXLIGHT 1, has a multi-directional tiltable lamp holder and is designed to use high-voltage ES111 halogen lamps. The inside of the luminaire's housing made of aluminium and steel has been painted black giving the observer an image of a free-floating lamp head. The chrome-plated frame rounds off the appearance of the AIXLIGHT 1. The luminaire is ready for direct connection to the 230V mains supply.



TECHNICAL DATA

Item no.:	154602
Socket	GU10
Lamp	QPAR111
Number of sockets	1
Lamps included	0
Primary nominal voltage	230V ~50Hz mA/V
Length	20.0 cm
Width	20.0 cm
Height	14.0 cm
Installation length	18.0 cm
Installation width	18.0 cm
Installation depth	14.0 cm
Net weight	1.305 kg
Gross weight	1.677 kg
IP Code	IP 20
Safety class	I
Assembly	Recessed
Assembly details	Ceiling
Wattage	75.0 W
Color	chrome

Recommended lamp

1003087	LED lamp , QPAR111, GU10, 4000K, 1100lm, 30°, dimmable
1003094	LED lamp , QPAR111, GU10, 2700K, 40°, dimmable

Notes
