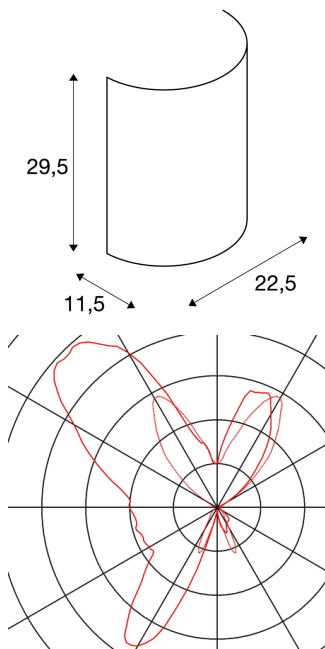


LASSON WL-3

wall light, TC-(D,H,T,Q)SE, black shade, L/W/H
23/11.5/30 cm, max. 40W

The ever-changing appearance of the vertical LASSON WL-3 wall luminaire originates from tensioned textile threads, where the emitted light creates an inimitable experience. Available with an either beige or black shade, LASSON WL-3 is supplied ready for direct connection to 230V mains supply.



TECHNICAL DATA

Item no.:	155340
Socket	E27
Number of sockets	1
Lamps included	0
Primary nominal voltage	230V ~50Hz mA/V
Width	23.0 cm
Height	30.0 cm
Depth	11.5 cm
Net weight	0.799 kg
Gross weight	1.229 kg
IP Code	IP 20
Safety class	I
Assembly	Surface
Assembly details	Wall
Wattage	40.0 W
Color	black
BIG WHITE Page	149



Recommended lamp

1002124	LED lamp , A60, E27, 2700K, 280°, 7W
1002126	LED lamp , A60, E27, 2200-2700K, 280°, 7W

Notes
