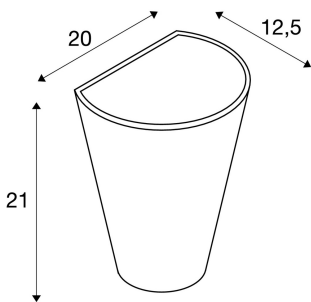




## SOPRANA SOLID WL-2

wall light, QPAR51, V-shape, concrete-grey, max. 25W

The SOPRANA SOLID WL-2 is a highly individual wall light made of concrete and exhibiting puristic form. Designed to accept GU10 halogen, LED, or energy-saving lamps, it comes ready for direct connection to 230V mains supply.



## TECHNICAL DATA

Item no.:	155751
Socket	GU10
Lamp	QPAR51
Number of sockets	1
Lamps included	0
Primary nominal voltage	230V ~50Hz mA/V
Width	20.0 cm
Height	21.0 cm
Depth	12.5 cm
Net weight	1.652 kg
Gross weight	1.905 kg
IP Code	IP 20
Safety class	I
Assembly	Surface
Assembly details	Wall
Wattage	25.0 W
Color	grey

## Recommended lamp

1005075	LED lightbulb QPAR51 , GU10, 2700K, grey
1005078	LED lightbulb QPAR51 , GU10, 3000K, grey

## Notes

---

---

---

---

---