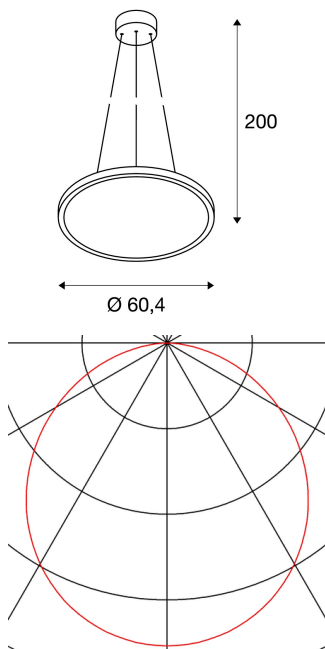




## LED PANEL

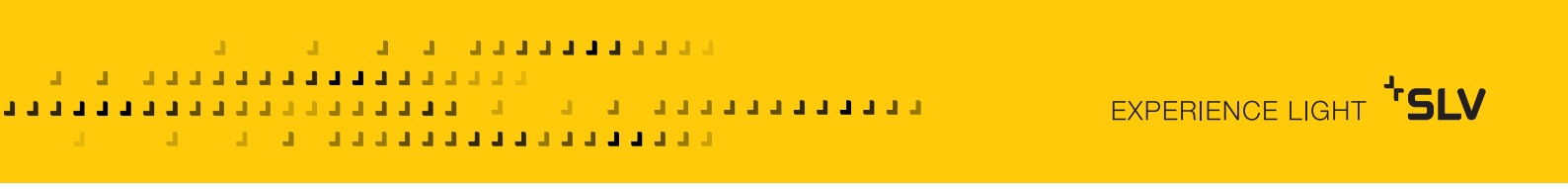
pendant, 2700K, round, silver-grey, dimmable 1-10 V, 39.8W

The LED PANEL pendant is available in three different light colours and impresses with its ultra-flat shape and its powerful, dimmable LED modules. The aluminium frame is fitted with an acrylic glass cover which ensures homogenous and glare-free illumination. The built-in LED driver allows direct connection to a mains supply of 100V to 240V.



## TECHNICAL DATA

Item no.:	158632
Lamps included	0
Primary nominal voltage	100-240V ~50/60Hz mA/V
Secondary power / secondary voltage	1000 mA/V
Pendant length	200.0 cm
Height	2.7 cm
Diameter	60.4 cm
Net weight	4.593 kg
Gross weight	6.118 kg
IP Code	IP 20
Safety class	I
Assembly	Surface
Assembly details	Ceiling
Wattage	39.8 W
Lumen	2630 lm
Colour temperature	2700 Kelvin
Beam angle	110 °
Color	grey
CRI	>80
UGR ?	22.0000
Binning	6
LXXBXX data	70/50



Service life	30000 h
--------------	---------

### Accessories

470505	EP1 DIMMER , 1-10V, max. 10W
--------	------------------------------

**Notes**

---

---

---

---

---