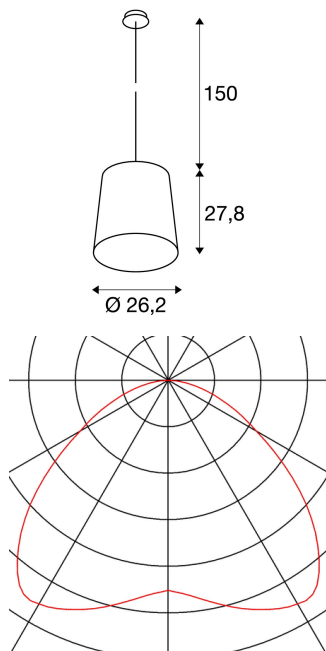




TINTO

pendant, A60, fern-green, max. 60W

The high-voltage TINTO pendant is made of aluminium, has an E27 socket and is available in several colour variants. The high-voltage pendant is suitable for both LED and energy-saving lamps. The pendant length is 1.5 m.



TECHNICAL DATA

Item no.:	165515
Socket	E27
Number of sockets	1
Primary nominal voltage	220-240V ~50/60Hz mA/V
Pendant length	150.0 cm
Height	27.8 cm
Diameter	26.2 cm
Net weight	0.799 kg
Gross weight	1.62 kg
IP Code	IP 20
Safety class	I
Assembly	Surface
Assembly details	Ceiling
Wattage	60.0 W
Color	green



Recommended lamp

1001035	E27 LED G95 , lamp, 330°, 2700K, 806lm, dimmable
---------	--

Notes
