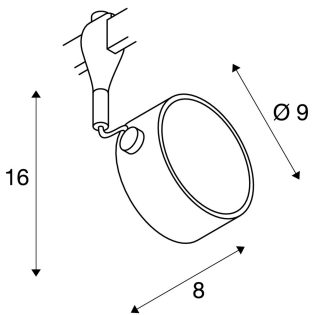




## GX53 SPOT

spot for 240V track EASYTEC II, TCR-TSE, white, energy-saving lamp, max. 13W

GX53 SPOT swivelling and tiltable 240V floodlight with suitable adapter for the EASYTEC II track system. The luminaire is made of steel and, thanks to the built-in GX53 socket, is suitable for both energy-saving and LED lamps.



## TECHNICAL DATA

Item no.:	184741
Socket	GX53
Lamp	TCR-TSE
Number of sockets	1
Lamps included	0
Primary nominal voltage	230V ~50Hz mA/V
Tilt range	180 °
Horizontal rotation range	350 °
Length	8.0 cm
Height	16.0 cm
Diameter	9.0 cm
Net weight	0.297 kg
Gross weight	0.392 kg
IP Code	IP 20
Safety class	I
Assembly	Surface
Assembly details	Ceiling, Track Ceiling
Wattage	13.0 W
Color	white



## Recommended lamp

551372	LED GX53 , SMD LED, 3W, 3000K, not dimmable
--------	--

## Notes

---

---

---

---

---