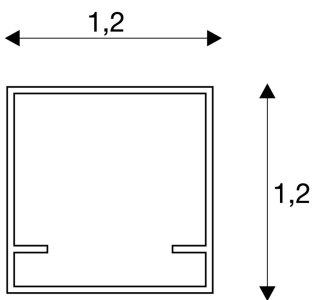


KENAI PROFILE

plastic LED profile, 2m, transparent

The transparent KENAI profile, which is 2m long, 12 mm wide and 12 mm in height, is designed for flat, narrow LED strips. Maximum strip power 10W per metre.



TECHNICAL DATA

Item no.:	214100
Length	200.0 cm
Width	1.2 cm
Height	1.2 cm
Net weight	0.093 kg
Gross weight	0.327 kg
IP Code	IP 20
Assembly	Surface
Assembly details	Ceiling, Ground, Wall
Color	transparent
BIG WHITE Page	762



Notes
