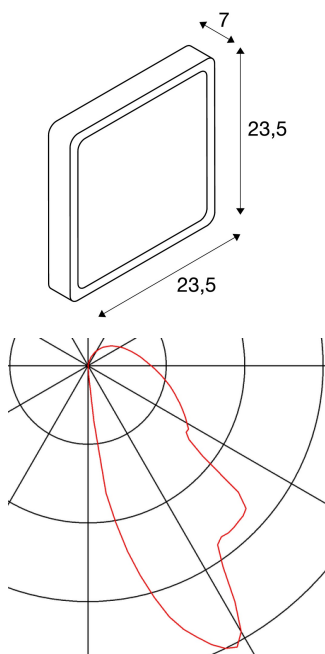




INDIGLA

wall and ceiling light, LED, 3000K, IP54, silver-grey, 8.3W

INDIGLA is a simple but functional 240V LED wall light for outdoor use. Amongst various fields of application, it can be used for path illumination due to the asymmetric light output. The electrical connection of the luminaire having IP54 protection class is made directly to the 230V mains supply thanks to the built-in LED driver.



TECHNICAL DATA

Item no.:	230884
Lamps included	0
Primary nominal voltage	100-240V ~50/60Hz mA/V
Secondary power / secondary voltage	350 mA/V
Width	23.5 cm
Height	23.5 cm
Depth	7.0 cm
Net weight	2.129 kg
Gross weight	2.433 kg
IP Code	IP 54
Safety class	I
Assembly	Surface
Assembly details	Ceiling, Wall
Wattage	8.3 W
Lumen	430 lm
Colour temperature	3000 Kelvin
Beam angle	45 °
Color	grey
CRI	>80
Binning	6
LXXBXX data	70/50
Service life	25000 h



Notes
