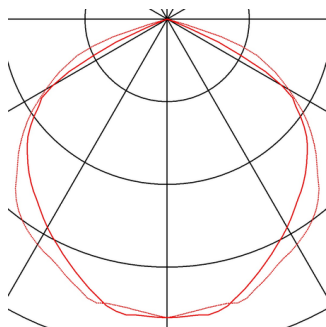
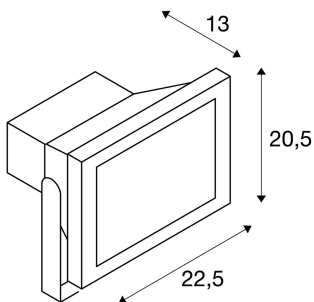




OUTDOOR BEAM

outdoor façade light, LED, 3000K IP65, silver-grey, 100°, convertible to a spike luminaire, 30W

Powerful OUTDOOR BEAM spot for illuminating areas and spaces. With a tiltable installation bracket and protection class IP65, the spot is suitable for outdoor installation on the wall, ceiling or on the floor. The electrical connection of the spot, which is available in warm white and neutral white, is made directly by the built-in driver and the connection lead with mains plug to the 230V mains supply. An earth spike is available as an option for simplified floor installation.



TECHNICAL DATA

Item no.:	231112
Lamps included	0
Primary nominal voltage	230V ~50Hz mA/V
Vertical tilting range	90 °
Length	22.5 cm
Width	13.0 cm
Height	20.5 cm
Net weight	2.645 kg
Gross weight	2.911 kg
IP Code	IP 65
Safety class	I
Impact resistance class	IK04
Impact resistance	0,5 Joule
Assembly	Surface
Assembly details	Ceiling, Ground, Wall
Wattage	35.0 W
Lumen	2600 lm
Colour temperature	3000 Kelvin
Beam angle	100 °
Color	grey
CRI	>70
LXXBXX data	70/50

Service life	30000 h
Ambient temperature	40 °C

Accessories

234344	WALL MOUNTING BRACKET , for OUTDOOR BEAM and MILOX, silver, 50 cm
234354	WALL MOUNTING BRACKET , for OUTDOOR BEAM and MILOX, silver, 80 cm
900011	PLASTIC EARTH SPIKE , black, length 17.5cm

Notes
