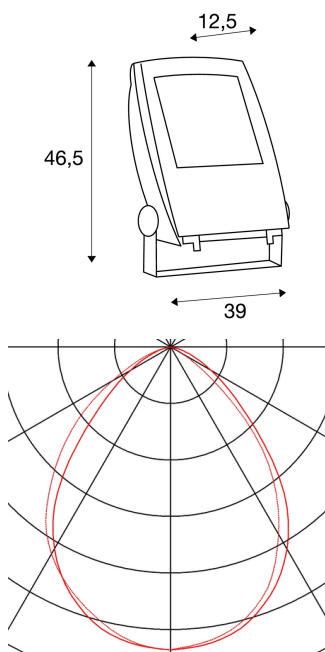




FLOOD LIGHT

outdoor façade light, LED, 3000K IP65, matt black, 90°, 82.3W

Powerful FLOOD LIGHT spot for illuminating areas and spaces. With a tiltable installation bracket and protection class IP65, the spot is suitable for outdoor installation on the wall, ceiling or on the floor. The electrical connection of the spot, which is available in warm white and neutral white, is made directly by the built-in driver and the connection lead with mains plug to the 230V mains supply. An earth spike is available as an option for simplified floor installation.



TECHNICAL DATA

Item no.:	231173
Lamps included	0
Primary nominal voltage	220-240V ~50Hz mA/V
Vertical tilting range	180 °
Length	39.0 cm
Width	12.5 cm
Height	46.5 cm
Net weight	6.772 kg
Gross weight	7.409 kg
IP Code	IP 65
Safety class	I
Assembly	Surface
Assembly details	Ceiling, Ground, Wall
Wattage	83.0 W
Lumen	6250 lm
Colour temperature	3000 Kelvin
Beam angle	90 °
Color	black
CRI	>70
Binning	6
LXXBXX data	70/50
Service life	30000 h



Ambient temperature	40 °C
---------------------	-------

Accessories

234340	Wall bracket , for Outdoor Beam and MILOX floodlight, black, 50cm
234350	WALL BRACKET , for SPOODI 15/20/31, black, 80 cm

Notes
