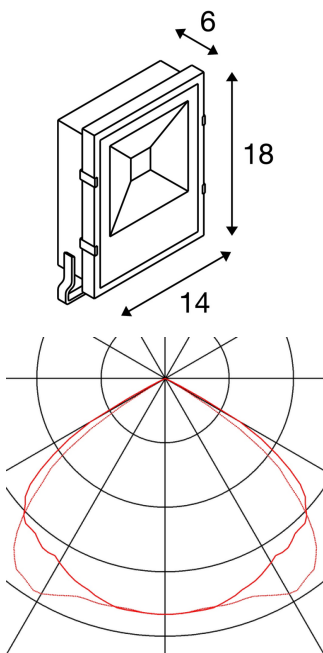




## DISOS

outdoor floodlight, LED, 4000K, black, 12W

Powerful DISOS LED floodlight to light up areas and courtyards. With a tiltable installation bracket and protection class Ip65, the floodlight is suitable for outdoor installation on the wall or on the floor. The electrical connection of the floodlight, which comes in cold-white, is done using the built-in driver and connection lead directly to the 230V mains supply. Various wall brackets are available for easy wall mounting. This luminaire contains built-in 10.5W LED lamps.



## TECHNICAL DATA

Item no.:	232350
Lamps included	0
Number of different light outlets	1
Primary nominal voltage	220-240V ~50/60Hz mA/V
Secondary power / secondary voltage	390 mA/V
Length	14.0 cm
Width	6.0 cm
Height	18.0 cm
Net weight	0.98 kg
Gross weight	1.095 kg
IP Code	IP 65
Safety class	I
Impact resistance class	IK06
Impact resistance	1 Joule
Assembly	Surface
Assembly details	Ground,Wall
Wattage	12.0 W
Lumen	1200 lm
Colour temperature	4000 Kelvin
Beam angle	110 °
Color	black
CRI	>80

## Accessories

228730	CONNECTION BOX , 3-pin, IP68
234340	Wall bracket , for Outdoor Beam and MILOX floodlight, black, 50cm
234350	WALL BRACKET , for SPOODI 15/20/31, black, 80 cm

Binning	6
LXXBXX data	70/50
Service life	35000 h

## Notes

---

---

---

---

---