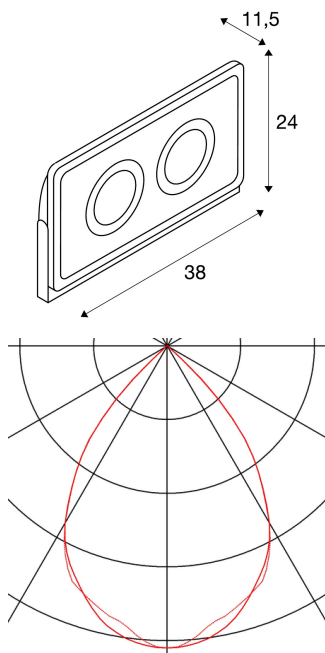




MILOX 2

outdoor floodlight, double-headed, LED, 3000K, IP55, anthracite, 79W

MILOX 2, floodlight for professional use. With a tiltable installation bracket and protection class Ip65, the floodlight is suitable for outdoor installation on the wall or on the floor. The electrical connection of the spot, which is available in warm white and neutral white, is made directly by the built-in driver and the connection lead with mains plug to the 230V mains supply. An optional wall bracket, 50 cm or 80 cm, is available for easy wall mounting.



TECHNICAL DATA

Item no.:	234315
Lamps included	0
Primary nominal voltage	100-240V ~50/60Hz mA/V
Secondary power / secondary voltage	1950 mA/V
Vertical tilting range	180 °
Length	38.0 cm
Width	11.5 cm
Height	24.0 cm
Net weight	4.522 kg
Gross weight	4.939 kg
IP Code	IP 55
Safety class	I
Impact resistance class	IK04
Impact resistance	0,5 Joule
Assembly	Surface
Assembly details	Ground,Wall
Wattage	79.0 W
Lumen	7340 lm
Colour temperature	3000 Kelvin
Beam angle	75 °
Color	anthracite
CRI	>80



Binning	6
---------	---

Accessories

234345	WALL BRACKET for MILOX 1 and MILOX 2 , anthracite, 50 cm
234355	WALL BRACKET for MILOX 1 and MILOX 2 , anthracite, 80 cm

Notes
